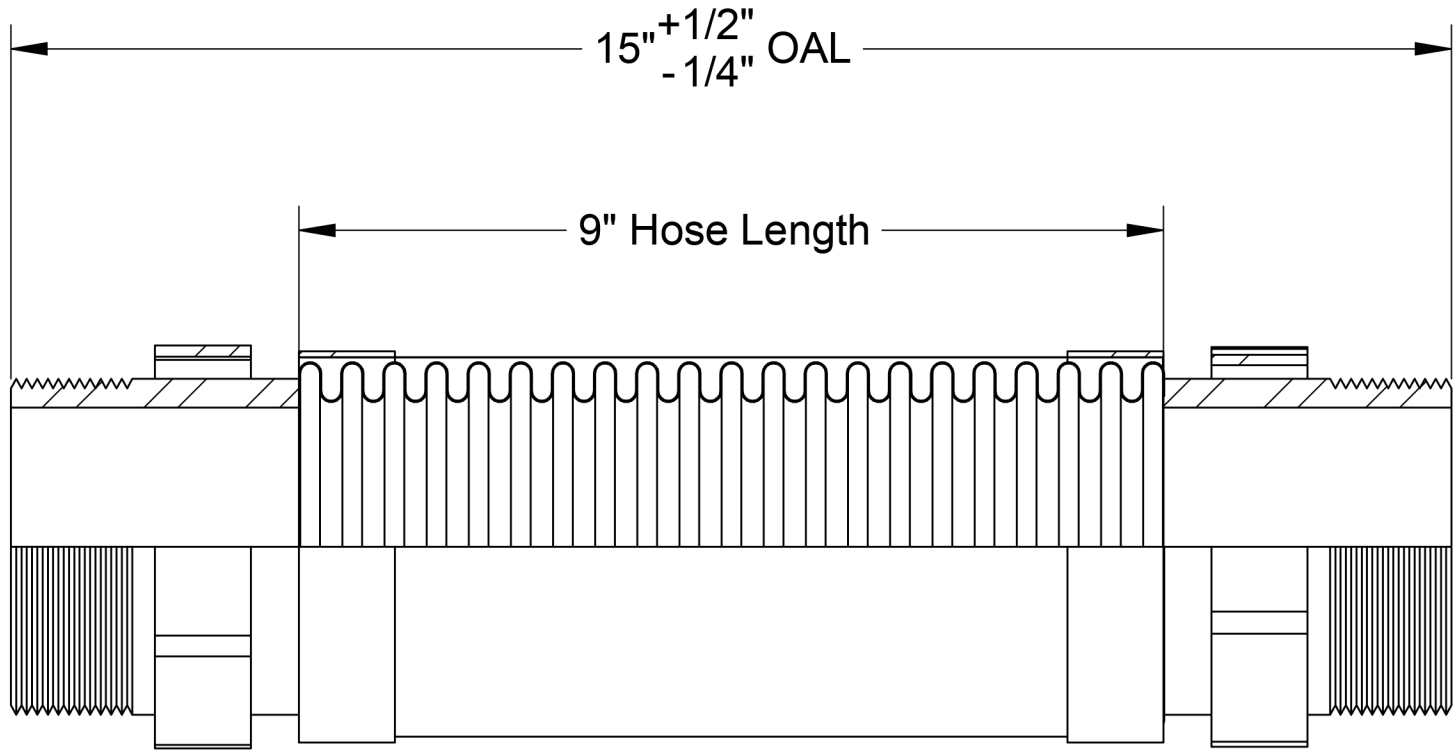


8 7 6 5 4 3 2 1

REVISIONS			
REV.	DESCRIPTION	DATE	APPROVED



D

D

C

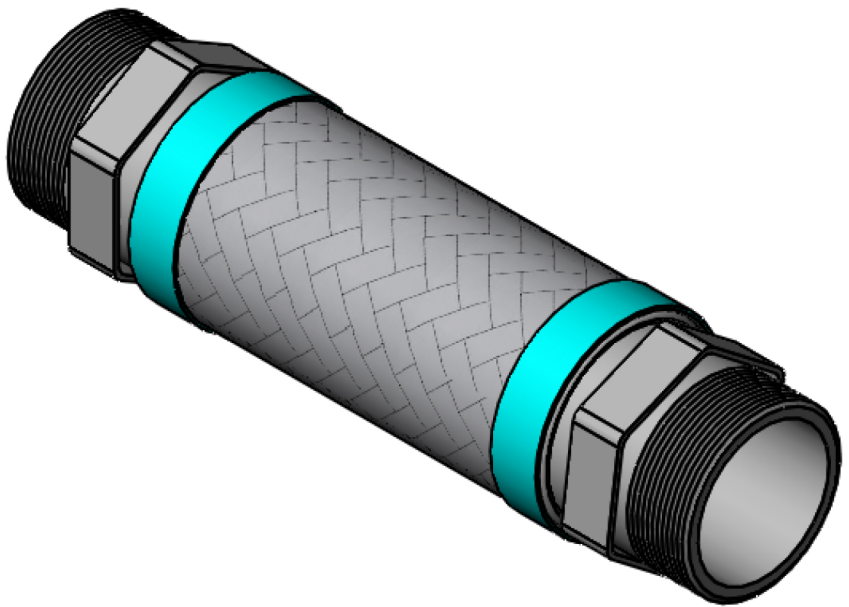
C

B

B

A


A



ITEM #	QTY.	PART NUMBER	DESCRIPTION	MATERIAL	WEIGHT
1	1	HOSE	300 Series Stainless HYDROFORMED Corrugated Hose	Stainless Steel	0.95
2	1	BRAID	300 Series Stainless Steel	Stainless Steel	0.06
3	2	BRAID COLLAR	0.06" Thick	Stainless Steel	0.22
4	2	3" MALE	3" Male, 3"x8" Thread, 4" Hex	Carbon Steel	2.73

**HOSE MASTER Inc.**  
 1233 East 222nd Street • Cleveland, Ohio 44117  
 (800) 221-2319 • Fax: (216) 481-7557 • www.hosemaster.com  
 Locations: **Cleveland • Houston**

Registered to: ISO 9001 : 2000  


Projection:	Customer: Hose Master Inc.	Prepared By: kannk
	Reference: Fire-Shield - 3" Male x 3" Male x 15" OAL	CALC. WEIGHT: 7 lbs. Date: 9/24/2009
Description:	<b>3" ID x 15" OAL 300 Series Stainless HYDROFORMED Corrugated Hose covered by 300 Series Stainless Braid. UL Approved 3" Male Connectors</b>	
Drawing #:	<b>FSMM0300x15</b>	Rev.: - SHEET 1 OF 1



8 7 6 5 4 3 2 1